

WPHD

Woltman Horizontal Removable Water Meter CLASS C

WPHD meters are used for measuring variable flow rates. They are capable of covering a large measuring range, with long-term accuracy. Low friction loss bearings guarantee the long life of the meter but can only be installed horizontally.

Reed sensors can be retrofitted without damaging the calibration seal. Then the meter can be integrated with data communication or automation and control systems in a simple and flexible way.

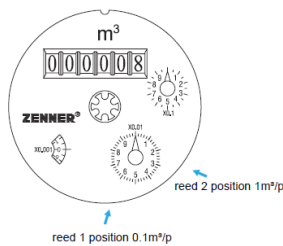
PERFORMANCE CHARACTERISTICS

- High flow capacity with low pressure loss and flow rate range.
- Flow straighteners reduce the influence of turbulence by other sources.
- Epoxy coated cast iron body and stainless steel bolts.
- Removable measuring insert
- Hydraulic bearing for measuring stability
- Pulse Unit (Reed switch) for remote readout systems, sold separately.
- Standard 1 pulse per 100 litres
- Protective metal cover
- Dry dial counter with large number rollers and condensation protection for visibility
- For cold water up to 30°C
- For horizontal installation only.

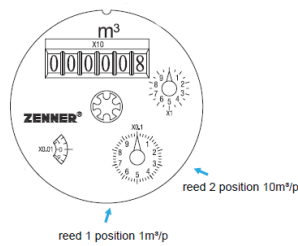


ZENNER CODE	HYDROFLOW CODE	SIZE	SPECIAL FEATURES
136493 WPHD	WMZWPHD65	65mm	
136494 WPHD	WMZWPHD80	80mm	
136495 WPHD	WMZWPHD100	100mm	
136496 WPHD	WMZWPHD150	150mm	
122141	WMZWPH-N		Reed Switch/Pulse for Woltman Meters WPHD Type

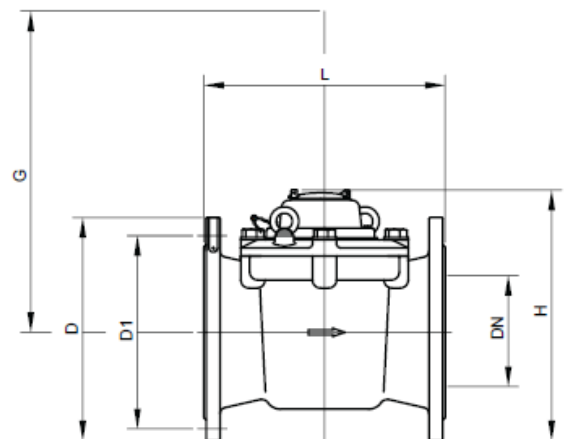
TECHNICAL DATA WPHD							
Nominal Diameter	DN		65mm	80mm	100mm	150mm	200mm
Nominal Flow	Qn	m ³ /h	25	40	60	150	250
Maximum Flow (short Term)	Qmax	m ³ /h	78	125	200	500	787
Maximum flow (constant)		m ³ /h	60	90	125	250	325
Transitional flow	Qt	m ³ /h	0.63	1	1.6	4	6.3
Minimum Flow	Qmin	m ³ /h	0.39	0.625	1	2.5	3.94
Metrological class			C	C	C	C	C
Head loss at Qmax		bar	0.1	0.2	0.2	0.2	0.05
Display Range	min	l	2	2	2	20	20
	max	m ³	9999999	9999999	9999999	9999999	9999999
Maximum Temperature		°C	50	50	50	50	50
Operating pressure, max.	PN	bar	16	16	16	16	16
Pulse value		l/imp					
Overall length	L	mm	200	225	250	300	350
Height	H	mm	208	255	275	305	375
Flange Diameter	D	mm	185	200	220	285	340



DN 65-DN100



DN150



WPHD Dimensions