

# STUDOR® TEC-VENT™

## Air Admittance Valve for Plumbing Ventilation

### Product Information/Specification Sheet

#### DESCRIPTION

The **STUDOR Tec-Vent** is an AAV designed specifically for commercial applications and industries where flame retardance is a priority. It is manufactured from flame retardant material with a high tensile strength. Provided with a 40mm thread, this specialist AAV results in great savings by reducing the need for expensive flame retardant vent piping.

The **Tec-Vent** is UL classified in the USA in accordance with UL Standard for Safety 2043 - Fire Test for Heat and Visible Smoke Release for Discrete Products and Their Accessories Installed in Air-Handling Spaces - as to heat release and smoke optical density only (control number 9DA2).

#### FEATURES

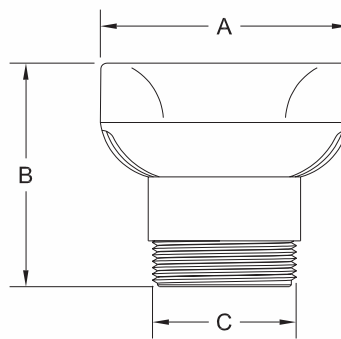
- Prevents the release of foul air from the drainage system.
- High tensile strength remains at low and high temperatures.
- The **Tec-Vent** may be exposed to direct sunlight.
- High temperature rating against exothermic reaction in acid waste system.
- Available in black.

#### INSTALLATION

- The **STUDOR Tec-Vent** should be connected to the piping in accordance with **STUDOR's** installation instructions.
- Refer to your local area regulations for open vent requirements.

#### WARRANTY

The **STUDOR** products have a lifetime warranty - equivalent to that of the drainage system in which they are installed.



Tec-Vent

#### APPLICATIONS

The **Tec-Vent** is designed for the most demanding commercial and industrial applications. It is especially suitable in the following areas:

- Factories
- Boiler Rooms
- Military Buildings
- Ships
- Manufacturing
- Mining
- Fuel Refineries
- High Rise Buildings
- Trade Waste Applications
- Aviation
- Commercial Dishwashers

#### PIPE SIZES

Europe	AU/NZ	USA
DN 40	DN 40	1 1/4" - 1 1/2"

#### DIMENSIONS

Dimension	Metric (mm)	Imperial (inches)
A	81.4	3.20
B	73.3	2.89
C	DN 40	1.50

Note: Dimensions for reference only

#### PERFORMANCE PARAMETER

Temperature range	-20°C to +60°C (CE) -40°F to +150°F (ASSE)
Opening pressure	-60 Pa (-0.009 PSI)
Max. pressure rating tightness	10,000 Pa (1m/40" H <sub>2</sub> O) at 0 Pa or higher

Air flow capacity	Branch	Stack
Europe	5.9 l/s	5.9 l/s
AU/NZ	5.9 l/s / 60 FU	5.9 l/s / 7 FU
USA	1 to 160 DFU	8 to 24 DFU

#### MATERIALS

Component	Material
Tec-Vent body	Flame-retardant polycarbonate
Tec-Vent membrane	Elastomer

EN 12380	<b>CE</b>	<b>03</b>
Studor Ventech Limited, Millennium House, Victoria Road Douglas, Isle of Man IM2 4RW, British Isles		
Valve to ventilate drainage systems Designation: AI Airflow capacity: 5.9 l/s Airtightness tested at: 30/500/10000 Pa Range of temperature: -20°C to +60°C Effectiveness at temperatures below zero: -20°C Pipe material in accordance with: EN1329-1, EN1451-1, EN4514, EN12056-1		