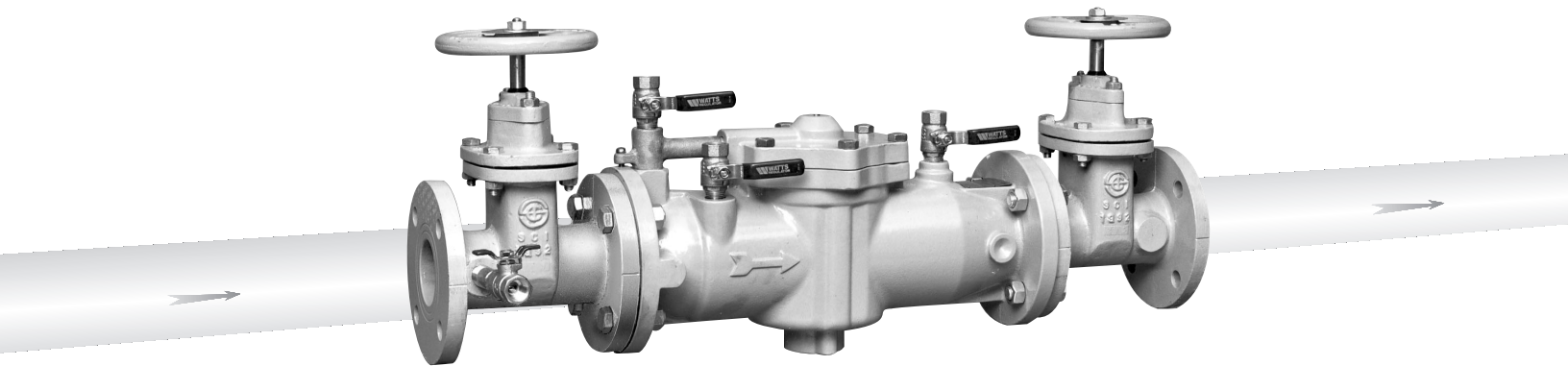


# Series 009

## Reduced Pressure Zone Assemblies

Sizes: 1/4" – 3" (8 – 80mm)

- Installation
- Service
- Repair Kits
- Maintenance



3" (80mm) 009

**IMPORTANT:** Inquire with governing authorities for local installation requirements.

**NOTE:** For Australia and New Zealand: Pipeline strainers should be installed between the upstream shutoff valve and the inlet of the backflow preventer.

It's important that this assembly be tested periodically in compliance with local codes, but at least once per year or more as service conditions warrant. If installed on a fire sprinkler system, all mechanical checks, such as alarm checks and backflow preventers, should be flow tested and inspected internally in accordance with NFPA 13 and NFPA 25.

**Limited Warranty:** Watts Regulator Co. (the "Company") warrants each product to be free from defects in material and workmanship under normal usage for a period of one year from the date of original shipment. In the event of such defects within the warranty period, the Company will, at its option, replace or recondition the product without charge.

**THE WARRANTY SET FORTH HEREIN IS GIVEN EXPRESSLY AND IS THE ONLY WARRANTY GIVEN BY THE COMPANY WITH RESPECT TO THE PRODUCT. THE COMPANY MAKES NO OTHER WARRANTIES, EXPRESS OR IMPLIED. THE COMPANY HEREBY SPECIFICALLY DISCLAIMS ALL OTHER WARRANTIES, EXPRESS OR IMPLIED, INCLUDING BUT NOT LIMITED TO THE IMPLIED WARRANTIES OF MERCHANTABILITY AND FITNESS FOR A PARTICULAR PURPOSE.**

The remedy described in the first paragraph of this warranty shall constitute the sole and exclusive remedy for breach of warranty, and the Company shall not be responsible for any incidental, special or consequential damages, including without limitation, lost profits or the cost of repairing or replacing other property which is damaged if this product does not work properly, other costs resulting from labor charges, delays, vandalism, negligence, fouling caused by foreign material, damage from adverse water conditions, chemical, or any other circumstances over which the Company has no control. This warranty shall be invalidated by any abuse, misuse, misapplication, improper installation or improper maintenance or alteration of the product.

Some States do not allow limitations on how long an implied warranty lasts, and some States do not allow the exclusion or limitation of incidental or consequential damages. Therefore the above limitations may not apply to you. This Limited Warranty gives you specific legal rights, and you may have other rights that vary from State to State. You should consult applicable state laws to determine your rights. **SO FAR AS IS CONSISTENT WITH APPLICABLE STATE LAW, ANY IMPLIED WARRANTIES THAT MAY NOT BE DISCLAIMED, INCLUDING THE IMPLIED WARRANTIES OF MERCHANTABILITY AND FITNESS FOR A PARTICULAR PURPOSE, ARE LIMITED IN DURATION TO ONE YEAR FROM THE DATE OF ORIGINAL SHIPMENT.**

**WATTS®**

# Installation Instructions

## Indoors – Figure 1

For indoor installations, it is important that the assembly be easily accessible to facilitate testing and servicing. If it is located in a line close to a wall, be sure the test cocks are easily accessible. A drain line and air gap (see literature ES-AG/EL/TC) should be piped from the relief valve connection as shown, where evidence of discharge will be clearly visible and so that water damage will not occur. Therefore, never install in concealed locations.

## Outside – Figure 2

In an area where freezing conditions do not occur, Series 009 can be installed outside. The most satisfactory installation is above ground and should be installed in this manner whenever possible.

In an area where freezing conditions can occur, Series 009 should be installed above ground in an insulated enclosure. Series 009 must be installed in an accessible location to facilitate testing and servicing. A discharge line should be piped from the air gap at the relief valve connection making sure that there is adequate drainage. Never pipe the discharge line directly into a drainage ditch, sewer or sump. Series 009 should never be installed where any part of the unit could become submerged in standing water.

It is generally recommended that backflow preventers never be placed in pits unless absolutely necessary and then only when approved by local codes. In such cases, a modified pit installation is preferred.

## Parallel – Figure 3

Two or more smaller size assemblies can be piped in parallel (when approved) to serve a large supply pipe main. This type of installation is employed where increased capacity is needed beyond that provided by a single valve and permits testing or servicing of an individual valve without shutting down the complete line.

The number of assemblies used in parallel should be determined by the engineer's judgement based on the operating conditions of a specific installation.

For parallel valve installations, the total capacity of the assemblies should equal or exceed that required by the system.

**Annual inspection of all water system safety and control valves is required and necessary. Regular inspection, testing and cleaning assures maximum life and proper product function.**

Figure 1

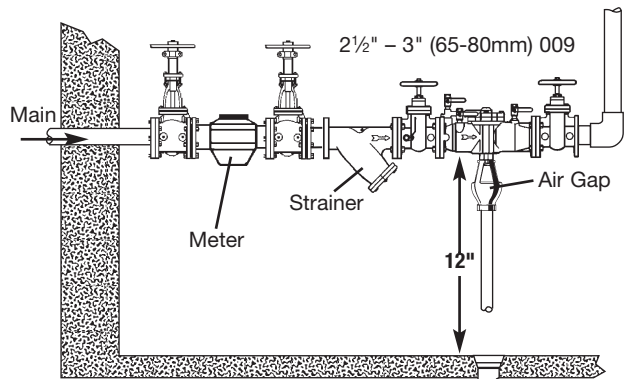


Figure 2

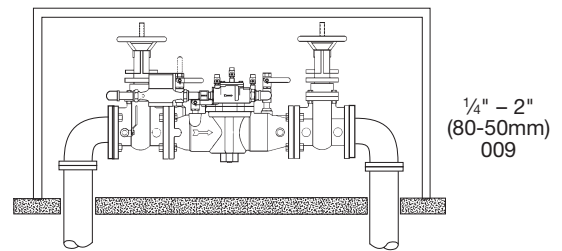
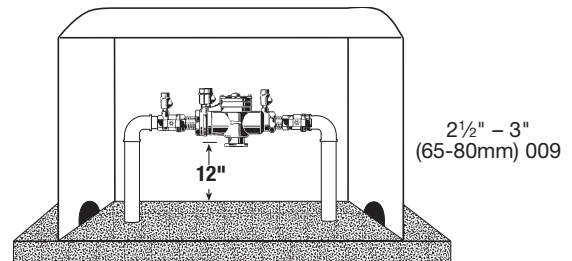
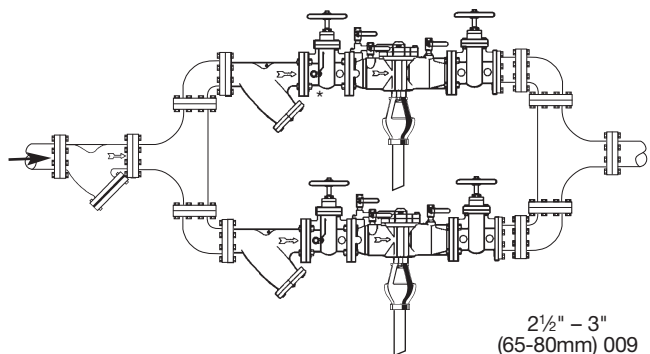


Figure 3



# Installation Instructions

**Note: Shutoff Valves:** When shutoff valves are removed and reassembly is necessary, the shutoff valve with the test cock is to be mounted on the inlet side of the backflow preventer.

A. The 009 should always be installed in an accessible location to facilitate testing and servicing (See page 2). **Check the state and local codes to ensure that the backflow preventer is installed in compliance, such as the proper height above the ground.**

B. We recommend a strainer be installed ahead of 009 series assemblies to protect the internal components from unnecessary fouling.

**Caution:** Do not install with strainer when backflow preventer is used on seldom-used water lines which are called upon only during emergencies, such as fire sprinkler lines.

**Start Up:** The downstream shutoff should be closed. Open upstream slowly and fill valve. When valve is filled, open the downstream shutoff slowly and fill the water supply system. This is necessary to avoid water hammer or shock damage.

C. Water discharge from the relief valve should be vented in accordance with code requirements. The relief valve should never be solidly piped into a drainage ditch, sewer or sump. The discharge should be terminated approximately 12" above the ground or through an air gap piped to a floor drain.

**NOTE: Relief Valve Discharge Rates**

The installation of an air gap with the drain line terminating above a floor drain will handle any normal discharge or nuisance spitting through the relief valve. However, floor drain size may need to be designed to prevent water damage caused by a catastrophic failure condition. Please refer to Figure No. 1 for maximum relief valve discharge rates, size and capacity of typical floor drains.

**NOTE: Do not** reduce the size of the drain line from the air gap fitting. Pipe full line size.

D. After initial installation, a discharge from the relief valve opening may occur due to inadequate initial flushing of pipe lines to eliminate dirt and pipe compounds. If flushing will not clear, remove the first check valve and clean thoroughly.

**NOTE:** Periodic relief valve discharge may occur on dead end service applications, such as boiler feed lines or cooling tower makeup lines due to fluctuating supply pressure during a static or no flow condition. To avoid this discharge, install a spring-loaded rubber seated check valve ahead of the backflow assembly to "lock-in" the downstream pressure.

E. Backflow preventers should never be placed in pits unless absolutely necessary and then only when and as approved by local codes. In such cases, provision should be made to always vent above flood level or for a pit drain to ensure an adequate air gap below the relief port.

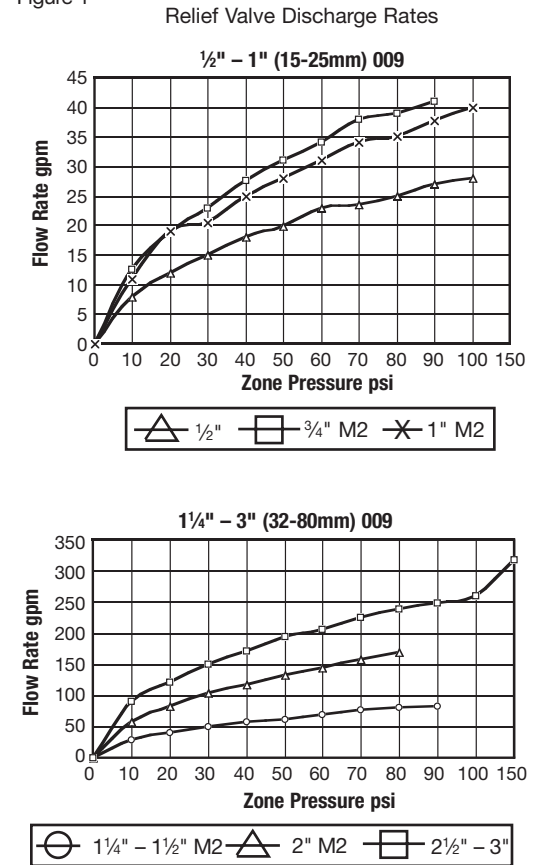
F. It is important that Series 009 backflow preventers be inspected periodically for any discharge from the relief valve which will provide a visual indication of need for cleaning or repair of check valves. Also testing for proper operation of the device should be made periodically in compliance with local codes, but at least once a year or more often, depending upon system conditions.

Relief vent will discharge water when, during no-flow periods, (1) the first check valve is fouled or (2) the inlet pressure to the device drops sufficiently due to upstream pressure fluctuations to affect the required operating differential between the inlet pressure and reduced pressure zone. Otherwise, such relief (spitting) can occur when the second check is fouled during emergency backflow or resulting from a water hammer condition.

**NOTE: Special considerations are necessary when testing assemblies installed on Fire Prevention Systems.**

**Fire Protection System Installations:** The National Fire protection Agency (NFPA) Guidelines require a confirming flow test be conducted whenever a "main line" valve such as the shutoff valves or a backflow assembly have been operated. Certified testers of backflow assemblies must conduct this confirming test.

Figure 1



**TYPICAL FLOW RATES AS SIZED BY FLOOR DRAIN MANUFACTURERS:**

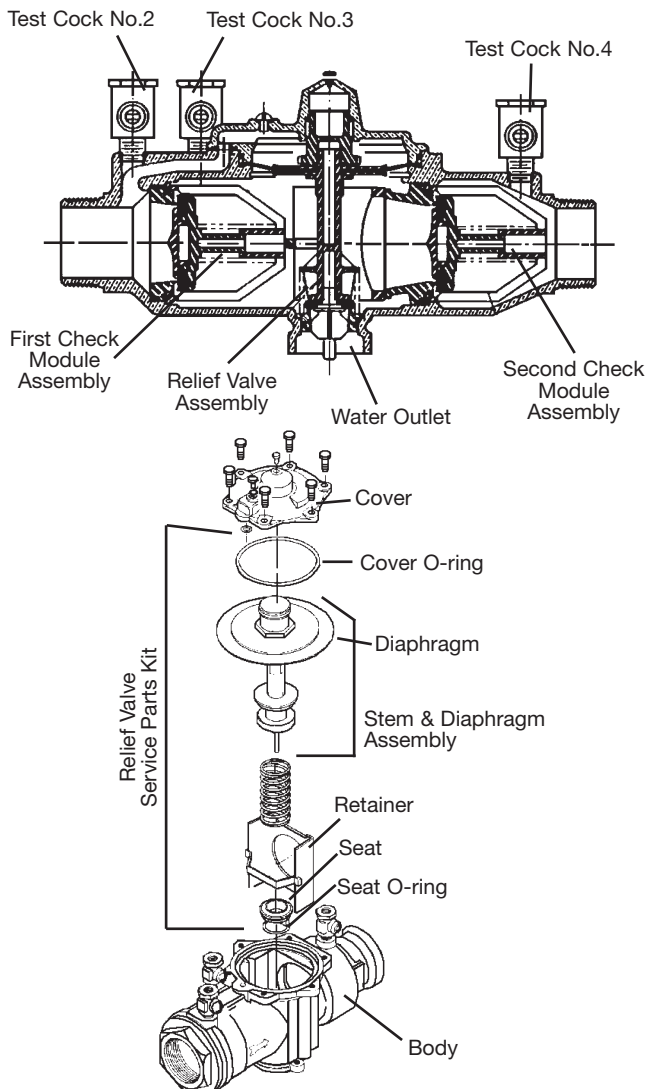
|                     |                     |
|---------------------|---------------------|
| 2" (50 mm) 55 GPM   | 5" (125 mm) 350 GPM |
| 3" (80 mm) 112 GPM  | 6" (150 mm) 450 GPM |
| 4" (100 mm) 170 GPM | 8" (200 mm) 760 GPM |

# Servicing the Relief Valve

## 1/4" – 2" (8 – 50mm)

1. Remove the relief valve cover bolts while holding the cover down.
2. Lift the cover straight off. The stem and diaphragm assembly will normally remain with the cover as it is removed. The relief valve spring will be free inside the body at this point.
3. The relief valve seat is located at the bottom of the body bore and can be removed, if necessary, for cleaning. The disc can be cleaned without disassembly of the relief valve module. If it is determined that the relief valve diaphragm and/or disc should be replaced, the relief valve module can be readily disassembled without the use of special tools.  
**Note:** the disc rubber is molded into the disc holder and is supplied as a disc holder assembly.
4. To re-assemble the relief valve, press the seat firmly into place in the body, center the spring on the seat, and insert the cover and relief valve module as a unit straight into the bore. Press down on the cover to assure proper alignment. Insert and tighten bolts.

**Caution:** If cover will not press flat against body, stem assembly is crooked and damage can result. Re-align stem and cover before bolts are inserted.



## Replacement Parts – 1/4" – 2" (8 – 50mm)

When ordering, specify Ordering Code, Kit number and Valve Size.

### 1/4" – 1" (8 – 25mm)

| ORDERING CODE             | KIT NO.     | SIZE          |           |
|---------------------------|-------------|---------------|-----------|
| <b>Relief Valve Kits:</b> |             |               |           |
|                           |             | inch          | mm        |
| 0887294                   | RK 009 VT   | 1/4, 3/8, 1/2 | 8, 10, 15 |
| 0887002                   | RK 009M2 VT | 3/4           | 20        |
| 0888524                   | RK 009M3 VT | 3/4           | 20        |
| 0887015                   | RK 009 VT   | 3/4 – 1       | 20-25     |
| 0887785                   | RK 009M2 VT | 1             | 25        |

**Kit consists of:** Seat, Seat O-ring, Stem & diaphragm assembly, Stem O-ring, Cover O-ring and RV spring.

### Relief Valve Rubber Parts Kits:

|         |             |               |           |
|---------|-------------|---------------|-----------|
| 0887295 | RK 009 RV   | 1/4, 3/8, 1/2 | 8, 10, 15 |
| 0886998 | RK 009M2 RV | 3/4           | 20        |
| 0888523 | RK 009M3 RV | 3/4           | 20        |
| 0887181 | RK 009 RV   | 3/4 – 1       | 20-25     |
| 0887786 | RK 009M2 RV | 1             | 25        |

**Kit consists of:** Diaphragm, Disc assembly, Stem O-rings, Seat O-ring and Cover O-ring.

### Total Rubber Parts Kits:

|         |             |               |           |
|---------|-------------|---------------|-----------|
| 0887297 | RK 009 RT   | 1/4, 3/8, 1/2 | 8, 10, 15 |
| 0886999 | RK 009M2 RT | 3/4           | 20        |
| 0888526 | RK 009M3 RT | 3/4           | 20        |
| 0887182 | RK 009 RT   | 3/4 – 1       | 20-25     |
| 0887787 | RK 009M2 RT | 1             | 2         |

**Kit consists of:** Diaphragm, Two discs, Two disc assemblies, Stem O-rings, Cover O-ring, Two seat O-rings and RV seat O-ring.

### 1 1/4" – 2" (32 – 50mm)

| ORDERING CODE                  | KIT NO.     | SIZE          |       |
|--------------------------------|-------------|---------------|-------|
| <b>Relief Valve Total Kit:</b> |             |               |       |
|                                |             | inch          | mm    |
| 0887307                        | RK 009M2 VT | 1 1/4 – 1 1/2 | 32-40 |
| 0887277                        | RK 009M1 VT | 1 1/4 – 2     | 32-50 |
| 0887016                        | RK 009 VT   | 1 1/4 – 2     | 32-50 |
| 0887545                        | RK 009M2 VT | 2             | 50    |

**Kit consists of:** RV assembly, Seat, Seat O-ring, Cover O-ring, Sensing passage O-ring and Upper stem O-ring.

### Relief Valve Rubber Parts Kit:

|         |             |               |       |
|---------|-------------|---------------|-------|
| 0887306 | RK 009M2 RV | 1 1/4 – 1 1/2 | 32-40 |
| 0887276 | RK 009M1 RV | 1 1/4 – 2     | 32-50 |
| 0887184 | RK 009 RV   | 1 1/4 – 2     | 32-50 |
| 0887544 | RK 009M2 RV | 2             | 50    |

**Kit consists of:** Diaphragm, Seat O-ring, Cover O-ring and Sensing passage O-ring.

### Complete Rubber Parts Kit:

|         |             |               |       |
|---------|-------------|---------------|-------|
| 0887309 | RK 009M2 RT | 1 1/4 – 1 1/2 | 32-40 |
| 0887280 | RK 009M1 RT | 1 1/4 – 2     | 32-50 |
| 0887185 | RK 009 RT   | 1 1/4 – 2     | 32-50 |
| 0887547 | RK 009M2 RT | 2             | 50    |

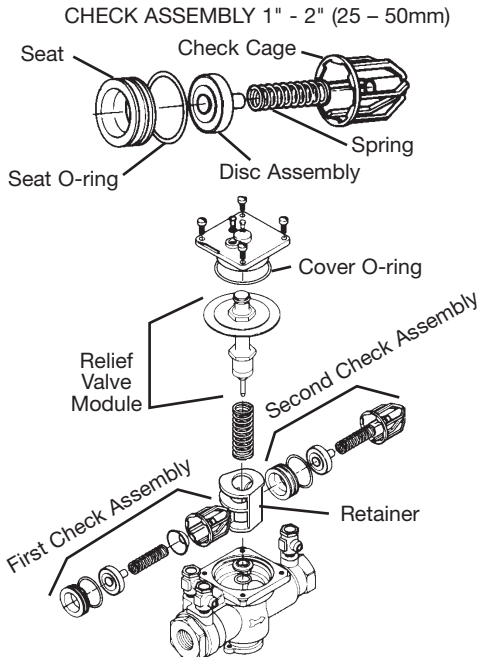
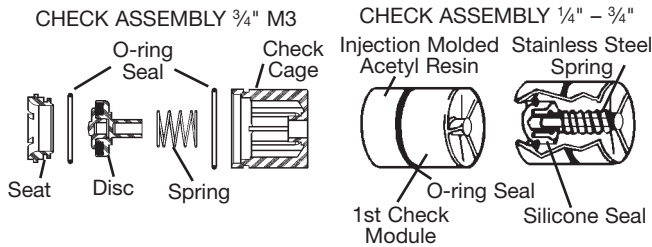
**Kit consists of:** Two check assembly O-rings, Two disc assemblies, One cover O-ring, One RV diaphragm, One RV seat O-ring, One sensing passage O-ring, One diaphragm plate O-ring, One RV lower stem O-ring, One RV upper stem O-ring, One RV disc assembly and One bleed screw O-ring.

# Servicing First & Second Check Valves

## 1/4" - 2" (8 - 50mm)

1. Remove the retainer from the body bore. The check valve modules can now be removed from the valve by hand or with a screwdriver. **Note:** The seats and springs of the first and second check modules are not interchangeable. The heavier spring and smaller diameter seat belong with the first check module.
2. The check seats are attached to the cage with a bayonet type locking arrangement. Holding the cage in one hand, push the seat inward and rotate clockwise against the cage. The seat, spring cage, spring and disc assembly are now individual components.
 

**Note:** 3/4" M2 modules snap apart.
3. The disc assembly may now be cleaned and re-assembled or, depending on its condition, may be discarded and replaced with a new assembly from the repair kit. O-rings should be cleaned or replaced as necessary and lightly greased with the FDA approved grease. Refer to parts price list, PL-RP-BPD for more information.
4. Re-assemble the check valve modules. Check modules are installed in the valve body with the seat facing the valve inlet. The modules must be secured in place before the retainer can be replaced. On the 3/4" size retainer may have to be tilted slightly into place. Replace relief valve assembly.



Watts reserves the right to change or modify product design, construction, specifications, or materials without prior notice and without incurring any obligation to make such changes and modifications on Watts products previously or subsequently sold.

## Replacement Parts — 1/4" - 2" (8 - 50mm)

When ordering, specify Ordering Code, Kit number and Valve Size.

### 1/4" - 1" (8 - 25mm)

| ORDERING CODE            | KIT NO.      | SIZE          | inch      | mm |
|--------------------------|--------------|---------------|-----------|----|
| <b>First Check Kits:</b> |              |               |           |    |
| 0887291                  | RK 009 CK1   | 1/4, 3/8, 1/2 | 8, 10, 15 |    |
| 0887000                  | RK 009M2 CK1 | 3/4           | 20        |    |
| 0888520                  | RK 009M3 CK1 | 3/4           | 20        |    |
| 0887005                  | RK 009 CK1   | 3/4 - 1       | 20-25     |    |
| 0887009                  | RK 009 CK1SS | 3/4 - 1       | 20-25     |    |
| 0887789                  | RK 009M2 CK1 | 1             | 25        |    |

**Kit consists of:** Check assembly and Cover O-ring.

### Second Check Kits:

|         |              |               |           |
|---------|--------------|---------------|-----------|
| 0887292 | RK 009 CK2   | 1/4, 3/8, 1/2 | 8, 10, 15 |
| 0887001 | RK 009M2 CK2 | 3/4           | 20        |
| 0888521 | RK 009M3 CK2 | 3/4           | 15        |
| 0887007 | RK 009 CK2   | 3/4 - 1       | 15-25     |
| 0887790 | RK 009M2 CK2 | 1             | 25        |

**Kit consists of:** Check assembly and Cover O-ring.

### Check Rubber Parts:

|         |              |               |           |
|---------|--------------|---------------|-----------|
| 0887293 | RK 009 RC3   | 1/4, 3/8, 1/2 | 8, 10, 15 |
| 0887003 | RK 009M2 RC3 | 3/4           | 20        |
| 0888522 | RK 009M3 RC3 | 3/4           | 20        |
| 0887017 | RK 009 RC1   | 3/4 - 1       | 20-25     |
| 0887791 | RK 009M2 RC1 | 1             | 25        |
| 0887180 | RK 009 RC2   | 3/4 - 1       | 20-25     |
| 0887792 | RK 009M2 RC2 | 1             | 25        |

**Kit consists of:** Disc, Cover O-ring and Seat O-ring.

### Retainers:

|         |        |               |             |
|---------|--------|---------------|-------------|
| 1047053 | 99AB47 | 1/4, 3/8, 1/2 | 8, 10, 15   |
| 1047394 | 99BA47 | M2-M3         | 20          |
| 1047001 | 99FA47 | 1/4 - 2       | 32-50       |
| 1047001 | 99FA47 | M1, 2" M2     | 1/4 - 2     |
| 1047401 | 99EA47 | M2            | 1/4 - 1 1/2 |

### 1 1/4" - 2" (32 - 50mm)

| ORDERING CODE           | KIT NO.      | SIZE          | inch  | mm |
|-------------------------|--------------|---------------|-------|----|
| <b>First Check Kit:</b> |              |               |       |    |
| 0887300                 | RK 009M2 CK1 | 1 1/4 - 1 1/2 | 32-40 |    |
| 0887270                 | RK 009M1 CK1 | 1 1/4 - 2     | 32-50 |    |
| 0887006                 | RK 009 CK1   | 1 1/4 - 2     | 32-50 |    |
| 0887540                 | RK 009M2 CK1 | 2             | 50    |    |

**Kit consists of:** First check assembly, Cover O-ring and Sensing passage O-ring.

### Second Check Kit:

|         |              |               |       |
|---------|--------------|---------------|-------|
| 0887301 | RK 009M2 CK2 | 1 1/4 - 1 1/2 | 32-40 |
| 0887271 | RK 009M1 CK2 | 1 1/4 - 2     | 32-50 |
| 0887008 | RK 009 CK2   | 1 1/4 - 2     | 32-50 |
| 0887541 | RK 009M2 CK2 | 2             | 50    |

**Kit consists of:** Second check assembly, Cover O-ring and Sensing passage O-ring.

### First Check Rubber Parts Kit:

|         |              |               |       |
|---------|--------------|---------------|-------|
| 0887304 | RK 009M2 RC1 | 1 1/4 - 1 1/2 | 32-40 |
| 0887274 | RK 009M1 RC1 | 1 1/4 - 2     | 32-50 |
| 0887018 | RK 009 RC1   | 1 1/4 - 2     | 32-50 |
| 0887542 | RK 009M2 RC1 | 2             | 50    |

**Kit consists of:** First check assembly O-ring, Disc holder assembly, Cover O-ring and Sensing passage O-ring.

### Second Check Rubber Parts Kit:

|         |              |               |       |
|---------|--------------|---------------|-------|
| 0887305 | RK 009M2 RC2 | 1 1/4 - 1 1/2 | 32-40 |
| 0887275 | RK 009M1 RC2 | 1 1/4 - 2     | 32-50 |
| 0887183 | RK 009 RC2   | 1 1/4 - 2     | 32-50 |
| 0887543 | RK 009M2 RC2 | 2             | 50    |

**Kit consists of:** Second check assembly O-ring, Disc holder assembly, Cover O-ring and Sensing passage O-ring.

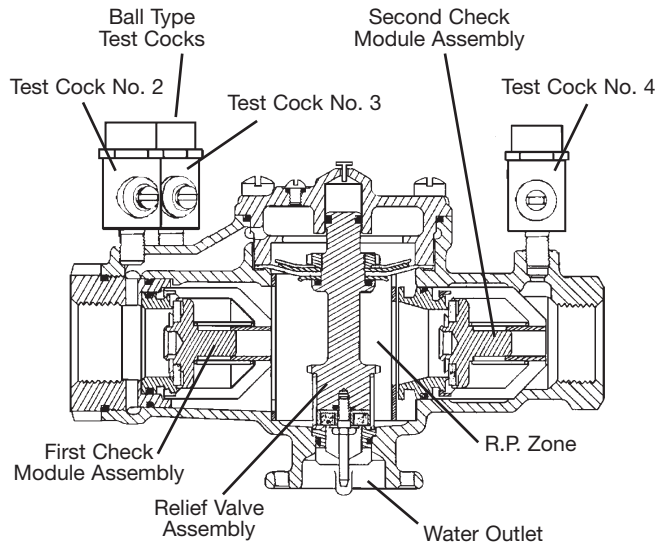
# Servicing the Relief Valve

2½" – 3" (65 – 80mm)

1. Remove the four or six relief valve cover bolts while holding the cover down.
2. Lift the cover straight off. The stem and diaphragm assembly will normally remain with the cover as it is removed. The relief valve spring will be free inside the body at this point.
3. The relief valve seat is located at the bottom of the body bore, and can be removed, if necessary, for cleaning. The disc can be cleaned without disassembly of the relief valve module. If it is determined that the relief valve diaphragm and/or disc should be replaced, the relief valve module can be readily disassembled without the use of special tools.  
**Note:** The disc rubber is molded into the disc holder and is supplied as a disc holder assembly.
4. To reassemble the relief valve, press the seat firmly into place in the body, center the spring on the seat, and insert the cover and relief valve module as a unit straight into the bore. Press down on the cover to assure proper alignment. Insert and tighten bolts.

**Caution:** If cover will not press flat against body, stem assembly is crooked and damage can result. Realign stem and cover before bolts are inserted.

**NOTE:** No special tools required to service Series 009 2½" – 3" (65 – 80mm).



## Replacement Parts —

2½" – 3" (65 – 80mm)

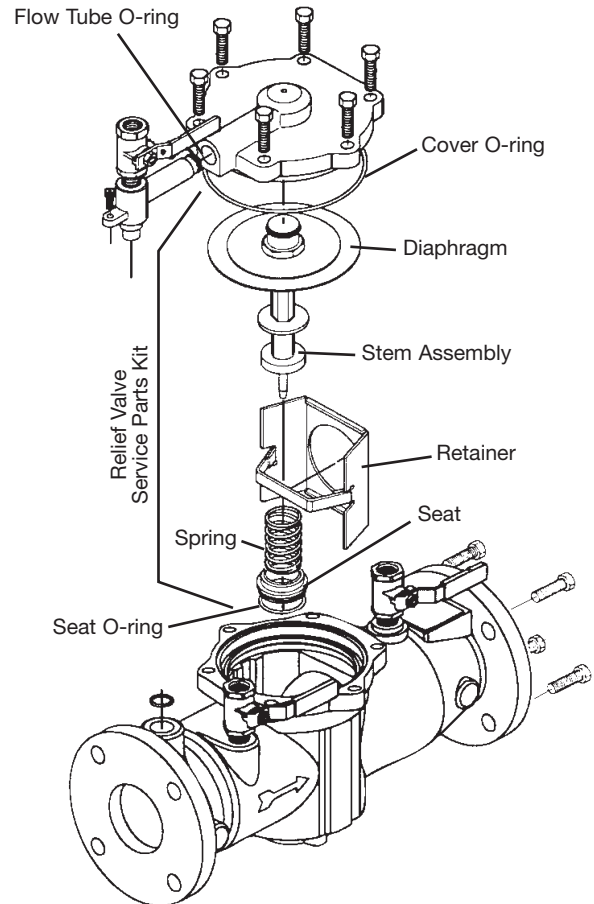
When ordering, specify Ordering Code, Kit number and Valve Size.

| ORDERING CODE           | KIT NO.   | SIZE   |       |
|-------------------------|-----------|--------|-------|
| Relief Valve Total Kit: |           | inch   | mm    |
| 0887021                 | RK 009 VT | 2½ – 3 | 65-80 |

**Kit consists of:** Seat, Stem assembly, Spring, Two piston O-rings, Flow tube O-rings and Cover O-ring.

| ORDERING CODE                  | KIT NO.   | SIZE   |       |
|--------------------------------|-----------|--------|-------|
| Relief Valve Rubber Parts Kit: |           | inch   | mm    |
| 0887206                        | RK 009 RV | 2½ – 3 | 65-80 |

**Kit consists of:** Diaphragm, Disc, Molded disc assembly, Piston O-rings, Stem O-ring and Cover O-ring.



# Servicing First & Second Check Valves

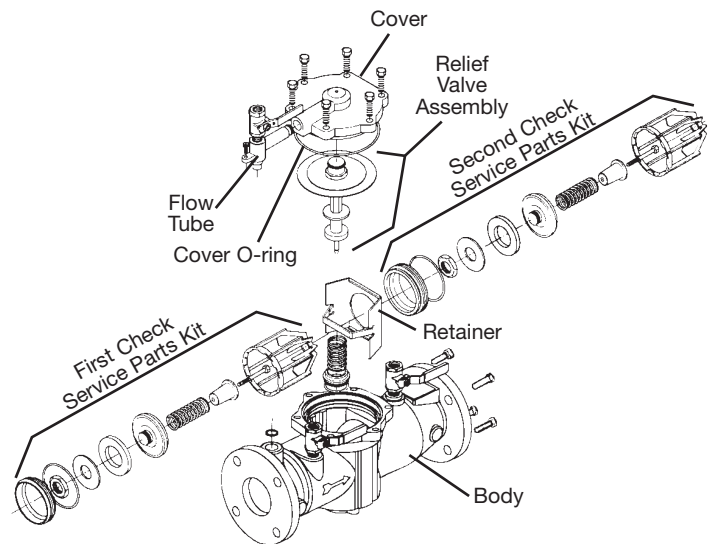
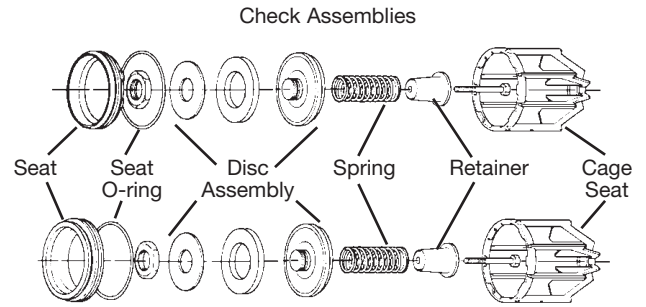
2½" – 3" (65 – 80mm)

1. Remove the relief valve assembly as outlined on page 5.
2. Remove the retainer from the body bore. The check valve modules can now be removed from the valve by hand or with a screwdriver.

**Note:** The seats and springs of the first and second check check modules are not interchangeable. The heavier spring and smaller diameter seat belong with the first check module.

3. The check seats are attached to the cage with a bayonet type locking arrangement. Holding the cage in one hand, push the seat inward and rotate counterclockwise against the cage. The seat, spring cage, spring and disc assembly are now individual components.
4. The disc assembly may now be cleaned and reassembled or, depending on its condition, may be discarded and replaced with a new assembly from the repair kit. O-rings should be cleaned or replaced as necessary and lightly greased with the FDA approved silicon grease.
5. Reassemble the check valve modules. Check modules are installed in the valve body with the seat facing the valve inlet. The modules must be securely in place before the retainer can be replaced. Replace relief valve assembly.

**NOTE:** No special tools required to service Series 009 2½" – 3" (65 – 80mm)



## Replacement Parts

2½" – 3" (65 – 80mm)

When ordering, specify Ordering Code, Kit number and Valve Size.

| ORDERING CODE           | KIT NO.    | SIZE        |           |
|-------------------------|------------|-------------|-----------|
| <b>First Check Kit:</b> |            | <b>inch</b> | <b>mm</b> |
| 0887019                 | RK 009 CK1 | 2½ – 3      | 65-80     |

|                          |            |        |       |
|--------------------------|------------|--------|-------|
| <b>Second Check Kit:</b> |            |        |       |
| 0887020                  | RK 009 CK2 | 2½ – 3 | 65-80 |

**Kit consists of:** Check assembly, Cover O-ring and Flow tube O-ring.

|                                     |            |        |       |
|-------------------------------------|------------|--------|-------|
| <b>First Check Rubber Parts Kit</b> |            |        |       |
| 0887281                             | RK 009 RC1 | 2½ – 3 | 65-80 |

|                                      |            |        |       |
|--------------------------------------|------------|--------|-------|
| <b>Second Check Rubber Parts Kit</b> |            |        |       |
| 0887205                              | RK 009 RC2 | 2½ – 3 | 65-80 |

**Kit consists of:** Disc, Seat O-ring and Flow tube O-ring.

|                            |           |        |       |
|----------------------------|-----------|--------|-------|
| <b>Total Rubber Parts:</b> |           |        |       |
| 0887207                    | RK 009 RT | 2½ – 3 | 65-80 |

**Kit consists of:** Diaphragm, Two discs, Two molded disc assemblies, Two seat O-rings, RV O-ring, Two piston O-rings, RV stem O-ring, Flow tube O-rings and Cover O-ring.

|                  |          |        |       |
|------------------|----------|--------|-------|
| <b>Seat Kit:</b> |          |        |       |
| 0887208          | RK 009 S | 2½ – 3 | 65-80 |

**Kit consists of:** Check seat, Seat O-ring and Cover O-ring.