

CALIFORNIA PROPOSITION 65 WARNING
 WARNING: This product contains chemicals known to the State of California to cause cancer and birth defects or other reproductive harm. (California law requires this warning to be given to customers in the State of California.)
 For more information: www.watts.com/pro65

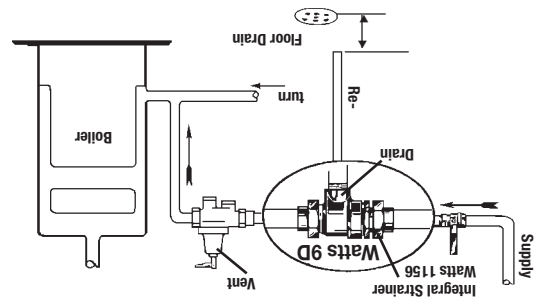
IMPORTANT:
 Inquire with governing authorities for local installation requirements.

Kit No.	Kit No.	Size
0886010	RK 9DM2 T	1/2", 3/4" (15, 20mm)
0886011	RK 9DM3T	1/2" (15mm)

Kit includes: Primary & Secondary checks, seat and two union seals.

9D Total Repair Kits

- May be installed horizontally or vertically.
- Quick closing valves, water hammer or supply pressure fluctuations can cause intermittent discharge. The installation of a Water Hammer Arrestor (Watts Series 05) or Water Pressure Regulator (Watts Series 1156 or 254UB) may be required to correct the problem.
- It is important not to install where the discharge could cause damage. Pipe the discharge line in accordance with local code requirements. A physical air gap must be maintained between the discharge pipe and the drain or sump. Create the air gap by cutting the pipe on a 45° bevel, at a distance of 12" above the floor. If used on boiler applications do not use an air gap fitting at face level so as to prevent personal injury from scalding water or steam.
- If local codes require the device be tested it must be installed as shown in the drawing on the reverse side.



Model 9D Heating System Installation

- The 9D Dual Check with Atmospheric Vent is designed for use on non-health hazard, continuous pressure, point of use applications for protection against backpressure. Install in accordance with the local codes.
- Remove union connections before sweating.
- For the best system performance, install on the fresh water feed line before any pressure regulators (such as the Watts Series 1156 on a residential boiler application).
- Flush the line before installing the unit to remove any solder, flux or pipe chips.
- Clean the strainer every six months or as conditions require.
- Some discharge is expected, particularly on start-up, until all seating surfaces seal. Continuous discharge is an indication that the internal seating parts and surfaces may require the cleaning.

Note: Model 9DS - Remove union connections before sweating

Series 9DM2, 9DM3 Dual Check with Atmospheric Vent
 Sizes: 1/2", 3/4" (15, 20mm)

RP/IS-9D

Field Testing Procedure

Series 9D Backflow Preventer with Intermediate Atmospheric Vent

EQUIPMENT REQUIRED: Valve must be installed per drawing and one (1) flexible hose with adapters furnished for testing.

Installation Providing for Field Testing

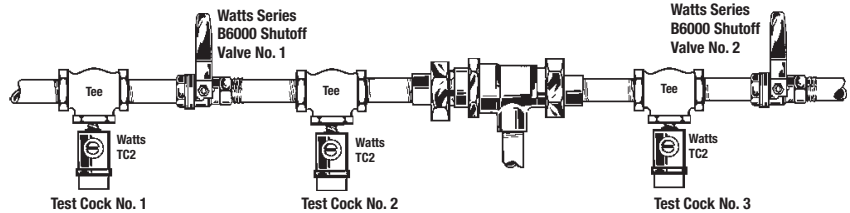
Test No. 1

- Purpose:** To check operation of air break.
Requirements: When supply pressure drops to atmospheric, air break must relieve pressure between both checks.
Procedure: Close shutoff valves No. 1 and No. 2. Open test cock No. 2.

- Observe:** Some water should drain from vent indicating that diaphragm has lifted off its seat and opened the chamber between the checks to atmosphere.

Test No. 2

- Purpose:** To test for tightness of second check Valve.
Requirement: Second check must be drip tight when pressure is applied to downstream side of valve.



- Procedure:** Close shutoff valves No. 1 and No. 2. Open test cock No. 2. Connect flexible hose from test cock No. 1 to test cock No. 3. Open test cock No. 1 and No. 3 admitting line pressure to downstream side of second check valve. Water must not drip continuously from vent. If water drips continuously from vent, second check is leaking.

Limited Warranty: Watts Regulator Co. (the "Company") warrants each product to be free from defects in material and workmanship under normal usage for a period of one year from the date of original shipment. In the event of such defects within the warranty period, the Company will, at its option, replace or recondition the product without charge.

THE WARRANTY SET FORTH HEREIN IS GIVEN EXPRESSLY AND IS THE ONLY WARRANTY GIVEN BY THE COMPANY WITH RESPECT TO THE PRODUCT. THE COMPANY MAKES NO OTHER WARRANTIES, EXPRESS OR IMPLIED. THE COMPANY HEREBY SPECIFICALLY DISCLAIMS ALL OTHER WARRANTIES, EXPRESS OR IMPLIED, INCLUDING BUT NOT LIMITED TO THE IMPLIED WARRANTIES OF MERCHANTABILITY AND FITNESS FOR A PARTICULAR PURPOSE.

The remedy described in the first paragraph of this warranty shall constitute the sole and exclusive remedy for breach of warranty, and the Company shall not be responsible for any incidental, special or consequential damages, including without limitation, lost profits or the cost of repairing or replacing other property which is damaged if this product does not work properly, other costs resulting from labor charges, delays, vandalism, negligence, fouling caused by foreign material, damage from adverse water conditions, chemical, or any other circumstances over which the Company has no control. This warranty shall be invalidated by any abuse, misuse, misapplication, improper installation or improper maintenance or alteration of the product.

Some States do not allow limitations on how long an implied warranty lasts, and some States do not allow the exclusion or limitation of incidental or consequential damages. Therefore the above limitations may not apply to you. This Limited Warranty gives you specific legal rights, and you may have other rights that vary from State to State. You should consult applicable state laws to determine your rights. **SO FAR AS IS CONSISTENT WITH APPLICABLE STATE LAW, ANY IMPLIED WARRANTIES THAT MAY NOT BE DISCLAIMED, INCLUDING THE IMPLIED WARRANTIES OF MERCHANTABILITY AND FITNESS FOR A PARTICULAR PURPOSE, ARE LIMITED IN DURATION TO ONE YEAR FROM THE DATE OF ORIGINAL SHIPMENT.**

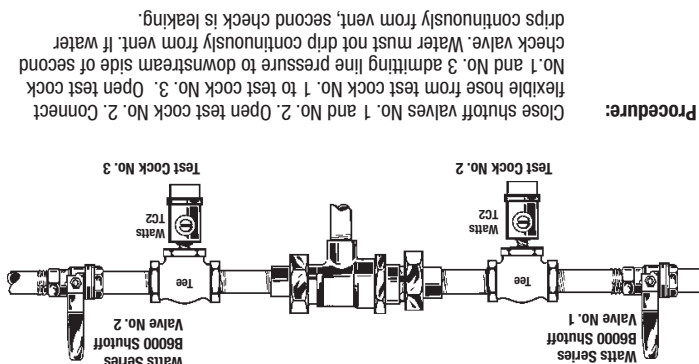
USA: 815 Chestnut St., No. Andover, MA 01845-6098; www.watts.com
 Canada: 5435 North Service Rd., Burlington, ONT, L7L 5H7; www.wattscanada.ca

Water Safety & Flow Control Products



Limited Warranty: Watts Regulator Co. (the "Company") warrants each product to be free from defects in material and workmanship under normal usage for a period of one year from the date of original shipment. In the event of such defects within the warranty period, the Company will, at its option, replace or recondition the product without charge. THE WARRANTY SET FORTH HEREIN IS GIVEN EXPRESSLY AND IS THE ONLY WARRANTY GIVEN BY THE COMPANY WITH RESPECT TO THE PRODUCT. THE COMPANY MAKES NO OTHER WARRANTIES, EXPRESS OR IMPLIED, INCLUDING BUT NOT LIMITED TO THE IMPLIED WARRANTIES OF MERCHANTABILITY AND FITNESS FOR A PARTICULAR PURPOSE.

The remedy described in the first paragraph of this warranty shall constitute the sole and exclusive remedy for breach of warranty, and the Company shall not be responsible for any incidental, special or consequential damages, including without limitation, lost profits or the cost of repairing or replacing other property which is damaged if this product does not work properly, other costs resulting from labor charges, delays, vandalism, negligence, fouling caused by foreign material, damage from adverse water conditions, chemical, or any other circumstances over which the Company has no control. This warranty shall be invalidated by any abuse, misuse, misapplication, improper installation or improper maintenance or alteration of the product. Some States do not allow limitations on how long an implied warranty lasts, and some States do not allow the exclusion or limitation of incidental or consequential damages. Therefore the above limitations may not apply to you. This Limited Warranty gives you specific legal rights, and you may have other rights that vary from State to State. You should consult applicable state laws to determine your rights. SO FAR AS IS CONSISTENT WITH APPLICABLE STATE LAW, ANY IMPLIED WARRANTIES THAT MAY NOT BE DISCLAIMED, INCLUDING THE IMPLIED WARRANTIES OF MERCHANTABILITY AND FITNESS FOR A PARTICULAR PURPOSE, ARE LIMITED IN DURATION TO ONE YEAR FROM THE DATE OF ORIGINAL SHIPMENT.



Test No. 1
Purpose: To check operation of air break.
Requirements: When supply pressure drops to atmospheric, air break must relieve pressure between both checks.
Procedure: Close shutoff valves No. 1 and No. 2. Open test cock No. 2. Some water should drain from vent indicating that diaphragm has lifted off its seat and opened the chamber between the checks to atmosphere.
Test No. 2
Purpose: To test for tightness of second check Valve.
Requirement: Second check must be drip tight when pressure is applied to downstream side of valve.

Field Testing Procedure
Series 9D Backflow Preventer with Intermediate Atmospheric Vent
EQUIPMENT REQUIRED: Valve must be installed per drawing and one (1) flexible hose with adapters furnished for testing.
Installation Providing for Field Testing

Series 9DM2, 9DM3

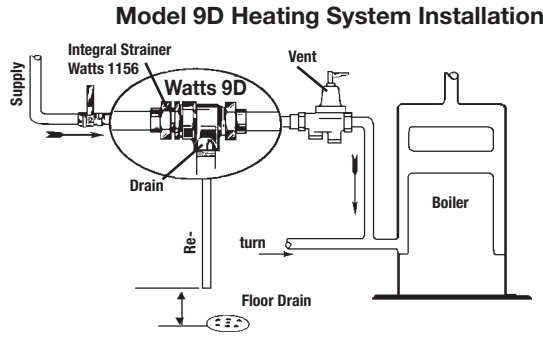
Dual Check with Atmospheric Vent

Sizes: 1/2", 3/4" (15, 20mm)

RP/IS-9D

Note: Model 9DS - Remove union connections before sweating

- The 9D Dual Check with Atmospheric Vent is designed for use on non-health hazard, continuous pressure, point of use applications for protection against backsiphonage and backpressure. Install in accordance with the local codes.
- Remove union connections before sweating.
- For the best system performance, install on the fresh water feed line before any pressure regulators (such as the Watts Series 1156 on a residential boiler application).
- Flush the line before installing the unit to remove any solder, flux or pipe chips. Clean the strainer every six months or as conditions require.
- Some discharge is expected, particularly on start-up, until all seating surfaces seal. Continuous discharge is an indication that the internal seating parts and surfaces may require the cleaning.
- May be installed horizontally or vertically.
- Quick closing valves, water hammer or supply pressure fluctuations can cause intermittent discharge. The installation of a Water Hammer Arrestors (Watts Series 05) or Water Pressure Regulator (Watts Series 1156 or 25AUB) may be required to correct the problem.
- It is important not to install where the discharge could cause damage. Pipe the discharge line in accordance with local code requirements. A physical air gap must be maintained between the discharge pipe and the drain or sump. Create the air gap by cutting the pipe on a 45° bevel, at a distance of 12" above the floor. If used on boiler applications do not use an air gap fitting at face level so as to prevent personal injury from scalding water or steam.
- If local codes require the device be tested it must be installed as shown in the drawing on the reverse side.



9D Total Repair Kits

EDP No.	Kit No.	Size
0886010	RK 9DM2 T	1/2", 3/4" (15, 20mm)
0886011	RK 9DM3T	1/2" (15mm)

Kit includes: Primary & Secondary checks, seat and two union seals.

CALIFORNIA PROPOSITION 65 WARNING
WARNING: This product contains chemicals known to the State of California to cause cancer and birth defects or other reproductive harm. (California law requires this warning to be given to customers in the State of California.)
 For more information: www.watts.com/prop65

IMPORTANT:
 Inquire with governing authorities for local installation requirements.

